

Gas Detector

Alpa EcoDet XT

Product code: PW-098-LPG



Reliability



Cost efficiency



5 year warranty



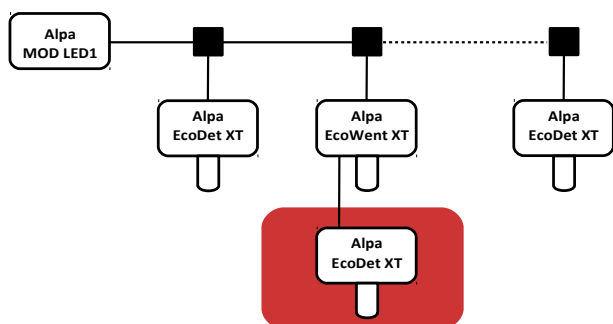
Information about the product

The Alpa EcoDet XT Gas Detector is an advanced and versatile device designed for detection of LPG (C_3H_8 , C_4H_{10}) concentration in public access facilities, such as boiler houses, industrial shops and underground car parks. Presence of the hazardous gas is revealed by means of a catalytic sensor, which guarantees reliable operation of the device without false alarms and, in consequence, smooth operation of the gas detection system deployed on the monitored facilities. The detectors are immune to humidity, variations of ambient temperature and presence of other gases. The device measures concentration of methane within established time intervals and information about exceeding of permissible thresholds it provided to the system operator when the LED indicator provided on the side part of the device is on. Such a solution enables reliable identification of the detector status from the distance even up to several meters. The communication between the detector and the master Control Unit is provided by the 4..20 mA output signal.

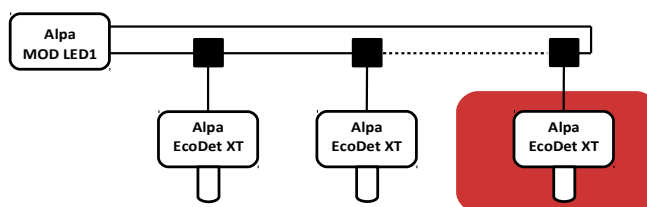
The Alpa EcoDet XT Gas Detector is not designed for installation in areas with potentially explosive atmospheres.

Location and role of the device in Gas Safety System

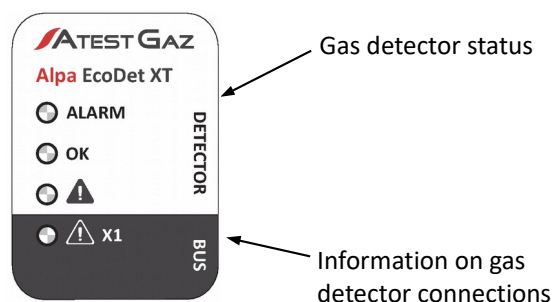
Bus system open



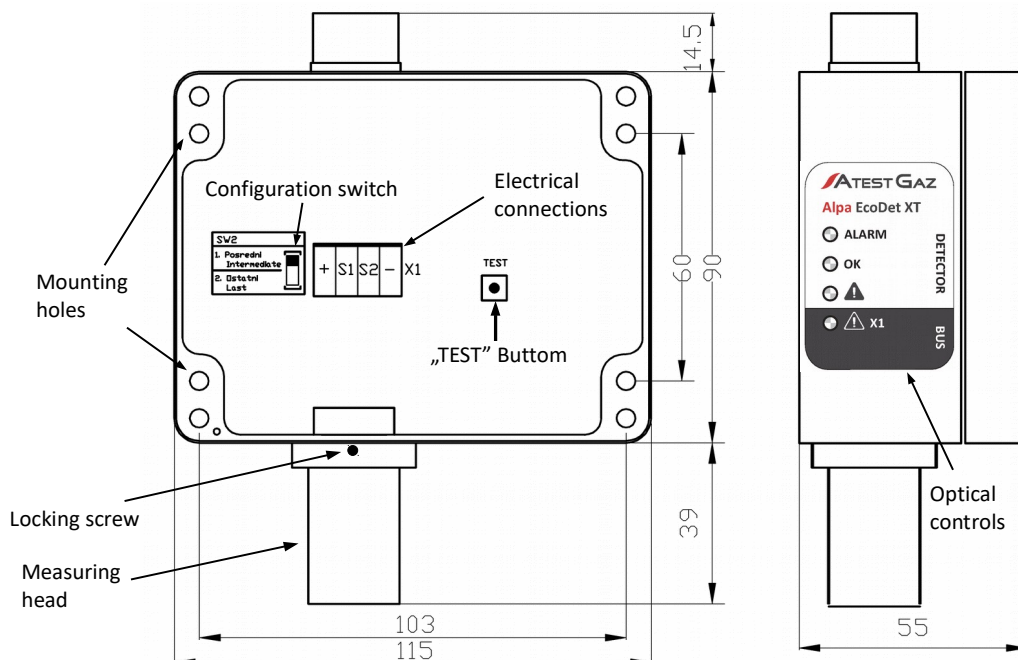
Bus system close



User interface



Electrical interface and dimension



Name	Pin	Description
X1		Gas detector /Alpha EcoWent XT/ T-connector XT / control unit port
	+	Positive
	S1	Signal line S2
	S2	Signal line S1
	-	Negative

Technical specification

Power supply	10 – 42 V $\overline{\text{~}}$	
• Voltage V_{CC}	130 mA	
• Current I_{VCC}		
Environment	In operation	Storage
• Ambient temperatures	-20 – 50 °C	-20 – 50 °C
• Humidity	10 – 90% long term	20 – 80% long term
• Pressure	0 – 99% short term	
	1013 \pm 10% hPa	
Detected substance	LPG (C ₃ H ₈ , C ₄ H ₁₀)	
Measuring range	50% LEL	
Standard configuration		
• warning 1	10% LEL	
• warning 2	15% LEL	
• alarm	20% LEL	
IP	IP 43	
Analogue input parameters		
• R_{IN}	200 Ω	
Analogue output parameters		
• R_{LOAD_MAX}	200 Ω	

*When working in residential buildings, public utilities, car parks and garages

The output signal according to the gas detector status:	
• failure	2.4 mA
• operation	4 mA
• warning 1	9 mA
• warning 2	11 mA
• alarm	15 mA
Integrated signalling equipment (visual)	LED controls
Protection class	III
Cable glands (cable diameter range)	Gland pressed into the installation pipe – diameter of the pipe 16 mm. Glands multiband – diameter of wire 3.5 – 12 mm
Acceptable cables	0.25 – 1.5 mm ² – wire cores 0.25 – 1 mm ² – multi-wire cable
Enclosure material	ABS
Weight	0.3 kg
Mandatory periodic inspection	Every 12 months (Calibration Certificate validity)
Lifetime of consumables	Measurement head MiniPel PWS-016-NG - 5 years*
Mounting	4 holes for screw diameter 4 mm

Product marking

Product code	Device
PW-098-LPG	Alpa EcoDet XT Gas Detector

ATEST GAZ

Reliable and Innovative Gas Detection & Safety Systems

Atest Gaz A. M. Pachole sp. j.
ul. Spokojna 3, 44-109 Gliwice

tel.: +48 32 238 87 94
fax: +48 32 234 92 71
e-mail: contact@atestgaz.pl

For more details on our devices and other products and services offered by us, visit:

www.atestgaz.pl/en

Legal Notice:

This document is not an offer in the meaning of the civil code and other relevant regulations, but merely constitutes an invitation to conclude an agreement pursuant to article 71 of the Polish Civil Code. Atest Gaz A. M. Pachole sp. j. stipulates the right to unilaterally change and modify the present document at any time as well as to introduce changes related to the product characteristics. Products parameters can be changed without any prior notice.