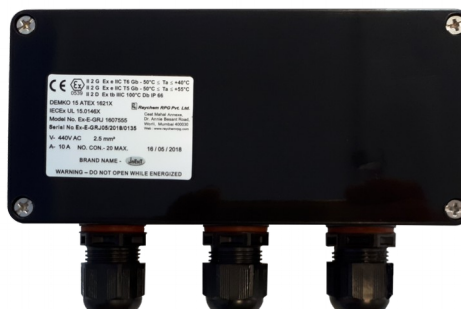


Terminal box

Ex-E-GRJ 1607555



Reliability



Cost efficiency



Simple assembly

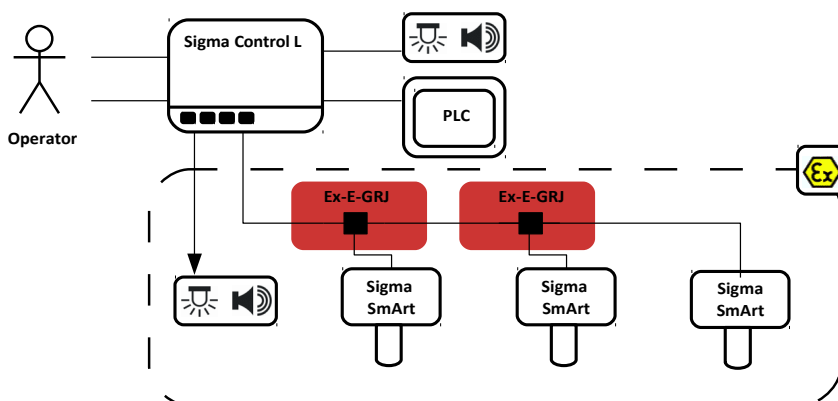


Information about the product

Up-to-date gas safety systems benefit from digital transmission of information and are deployed in areas with potentially explosive atmospheres. Therefore all branching and forking of transmission lines must be made in intrinsically safe manner with no compromise to safety.

The terminal box Ex-E-GRJ 1607555 makes it possible to make such safe and easy connections between various gas detectors of the Sigma Gas system and other components of gas safety systems (e.g. warning devices or light beacons).

Location and role of the device in Gas Safety System

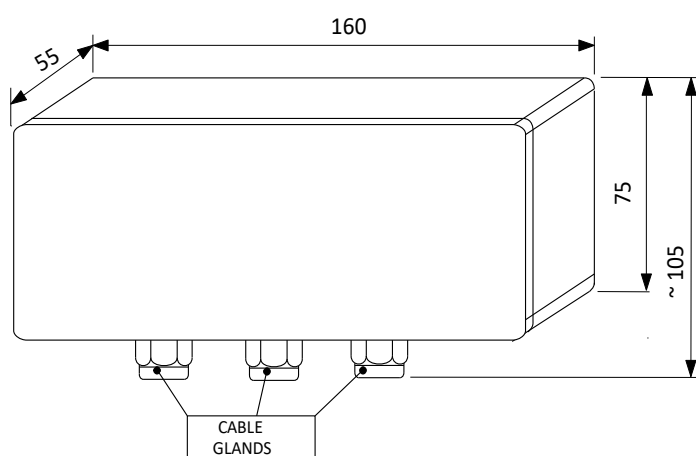


Electrical interface


-	-	+	+	E	E	A	A	B
---	---	---	---	---	---	---	---	---

Pin	Description
-	Negative
+	Positive
E	Shield
A	Signal line A
B	Signal line B

Dimension



Technical specification

Power supply	440 V AC 10 A	Cable gland	7 – 13 mm
• Voltage Vcc		• Cable diameter range	M20
• Current		• External thread	3
• Quantity		• Quantity	
Environment	T6: -50 – +40°C T5: -50 – +55°C	Acceptable cables	0,2 – 2,5 mm ²
• temperature range		Enclosure material	Polyester reinforced with fiberglass
IP	IP66	Weight	0,6 kg
ATEX	 II 2G Ex e IIC T6-T5 Gb II 2D Ex tb IIIC 100°C Db IP66	Mounting	To the wall (4 holes for screws or bolts, max. diameter 4,5 mm, holes spacing 148 mm x 45 mm)
Protection class	III	Manufacturer	Raychem RPG PVT LTD
Dimension	See figure above		

Product marking

Product code	Device
Ex-E-GRJ 1607555	Terminal box

Legal Notice:

This document is not an offer in the meaning of the civil code and other relevant regulations, but merely constitutes an invitation to conclude an agreement pursuant to article 71 of the Polish Civil Code. Atest-Gaz A. M. Pachole sp. j. stipulates the right to unilaterally change and modify the present document at any time as well as to introduce changes related to the product characteristics. Products parameters can be changed without any prior notice.