

Warning LED Display

TOLED

Product code: PW-127-X



Reliability



Cost efficiency



Simple assembly



About the product

The **Warning LED Display TOLED** is a device designed to indicate alarms and to collaborate with dedicated control unit manufactured by Atest Gaz. The board is meant as a field warning device intended to inform about potential hazards on confined areas, e.g. in underground car parks.

The board messages can be individually customized according to needs of specific applications.

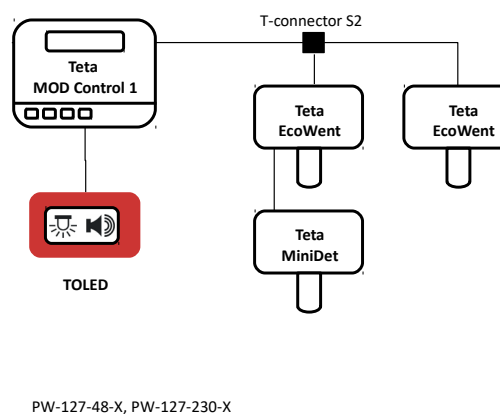
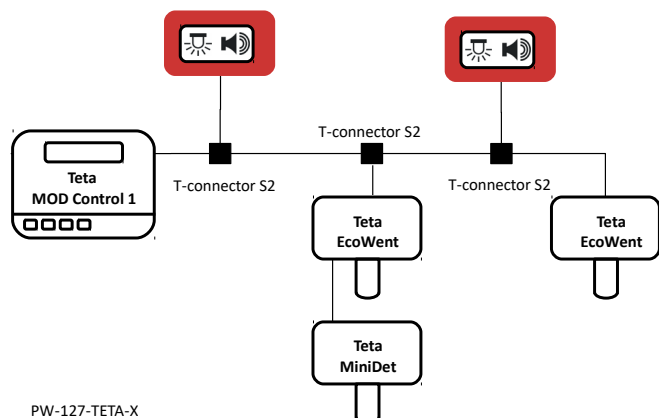
Upon a hazard is detected by the Gas Safety System the message of the **TOLED** is backlighted, the light flashes with the frequency of 1 Hz and the sound signal is horned.

The **Warning LED Display TOLED** is offered with the following design options:

- **Teta** – the solution suitable for transmission of digital data over power supply lines, i.e. only a single pair of conductors is used both for power supply and addressable communication,
- **48 oraz 230** – the display is controlled by means of power voltage 48 or 230 V.

The Teta option offers the capability of integration with other components of the Teta Gas system owing to application of a common two-wired bus designed both for power supply and digital communication. It enables transmission of diagnostic information about the message board status to a control unit as well as monitoring of the board operation. Nonetheless, installation of the messaging system is as simple as for conventional ones that use two-wire cables.

Location and role of the device in Gas Safety System



Electric interface

Name	Pin	Description
TETA BUS		Teta Bus communication port
		Power supply / transmission lines

PW-127-TETA-X

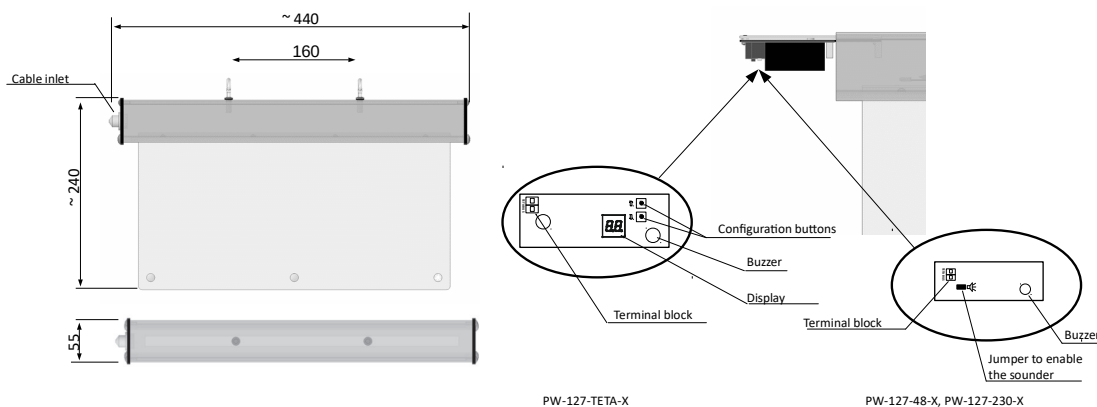
Name	Pin	Description
230 V AV		Power supply port
		Power supply

PW-127-230-X

Name	Pin	Description
		Power supply port
-		Negative
+		Positive

PW-127-48-X

Dimension



PW-127-TETA-X

PW-127-48-X, PW-127-230-X

Installation

The display should be mounted on a flat surface at a location with restricted access of unauthorized persons. They can be fixed directly to a ceiling or a wall or suspended on ropes by means of mounting adapters attached to the delivery kit.

To connect a display to the system remove four bolts that fix the component with a cable inlet to the entire device. Draw a cable through the inlet with a rubber gland, slide out the plated with terminals and then connect the cable to terminals. After completion of the message display configuration reinstall the plate to its place and fix the blinding plug.

Configuration

PW-127-TETA-X

Depress and hold configuration buttons for about 1 second to switch the display over to the service configuration to set up the network address for the display (only digital design option) and enable/disable the embedded sounder (Ad and AC messages are alternately displayed on the board). The default address of a message display within the system is '99'.


Releasing buttons at the moment when the 'Ad' message is displayed makes it possible to set the display address by means of pushbuttons.

When the buttons are released when the 'AD' message is displayed the pushbuttons can be used to switch the sounder on or off (00 – the sounder is off, 01 – the sounder is on). By default the sounder is on (01).

To accept the settings and quit the configuration mode depress the both buttons simultaneously. The settings shall blink for 2 seconds.

If the settings are not approved in 15 seconds any changes are rejected, previous settings remain intact in the device memory and the configuration mode is quit.

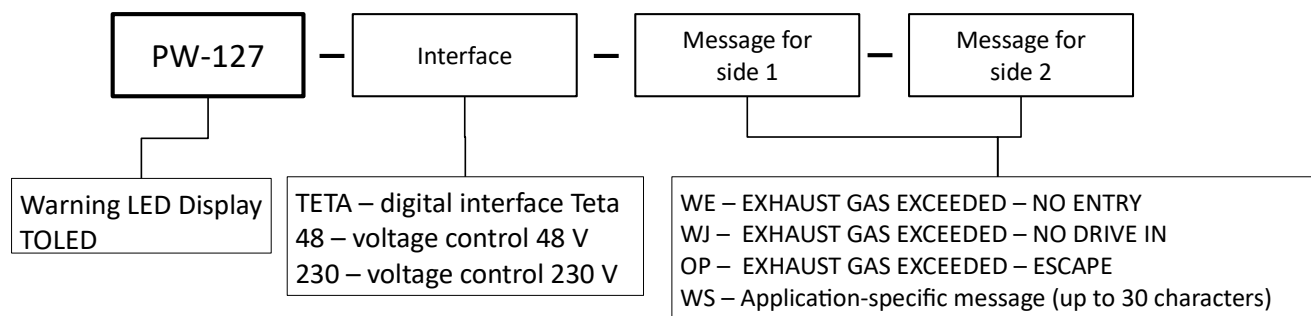
PW-127-48-X, PW-127-230-X

The sounder embedded into the board can be enabled or disabled by means of a dedicated jumper. Upon the jumper is removed from the connector designated as  the warning sounder is disabled.

Technical specification

	PW-127-	-TETA-X	-48-X	-230-X		
Power supply					Protection class	
• Voltage V _{CC}		15 – 50 V \equiv		230 V \sim	• PW-127-TETA-X, PW-127-48-X	III
• Power					• PW-127-230-X	II
• Short-term		3.6 W		3.8 W	Cable glands (cable diameter range)	Variable size gland Cable diameter from 5 to 10 mm
• Average		1.8 W		2.0 W	Acceptable cables	0.2 – 2.5 mm ² – solid wire 0.2 – 2.5 mm ² – multi-wire cable (Use end sleeves 2x1 mm ² or 2 x 0.75 mm ² with lugs for two-wire cables)
Maximum starting current		1.54 A		0.52 A	Enclosure material	Aluminium, plastic
Environment					Weight	Ca. 0.4 kg
• Ambient temperatures		-20 – +40 °C			Mounting	Fixed to walls, ceilings or suspended on ropes
• Humidity		10 – 90% long term, without condensation				
IP		IP 54				
Integrated signalling equipment (visual)		LED backlight				
Integrated signalling equipment (acoustic)		Ca. 60 dB, 1 m distance				

Product marking



Example 1: PW-127-TETA-WE-OP

Warning LED Display TOLED with a digital interface TETA, message on side 1: “EXHAUST GAS EXCEEDED – NO ENTRY”, message on side 2: “EXHAUST GAS EXCEEDED – ESCAPE”.

Example 2: PW-127-48-WS (NO ENTRY)-WS (NO ENTRY)


Warning LED Display TOLED with voltage control 48 VDC, message on side 1: NO ENTRY, message on side 2: NO ENTRY.





For more details of our devices and other products and services offered by us, visit:

www.atestgaz.com

Atest Gaz A. M. Pachole sp. j.

 Spokojna 3, 44-109 Gliwice

 +48 32 238 87 94

 +48 32 234 92 71

 contact@atestgaz.pl

Legal Notice:

This document is not an offer in the meaning of the civil code and other relevant regulations, but merely constitutes an invitation to conclude an agreement pursuant to article 71 of the Polish Civil Code. Atest Gaz A. M. Pachole sp. j. stipulates the right to unilaterally change and modify the present document at any time as well as to introduce changes related to the product characteristics. Products parameters can be changed without any prior notice.