

Solenoid valves manually reset

MSV, MSV/6B



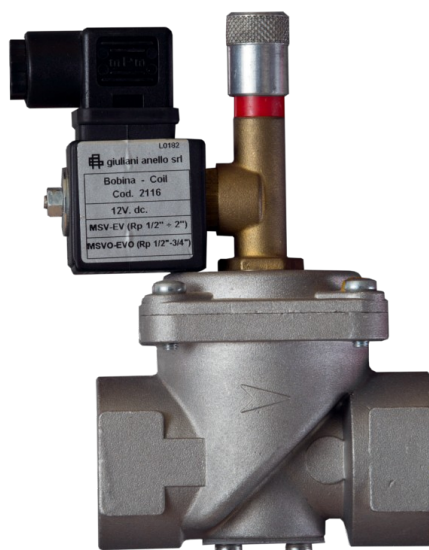
Solenoid valves



Cost efficiency



Simple assembly



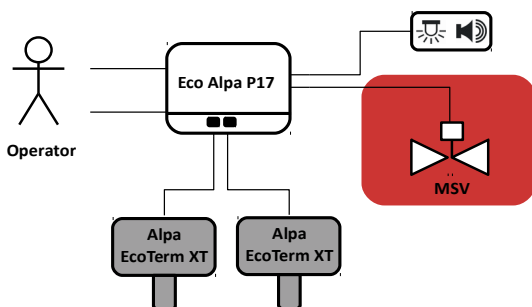
Information about the product

MSV solenoid valves from Guiliani Anello are designed to isolate supply of gas to monitored facilities. They are available in two manufacturing options that differ with the operation pressure of gas lines: **MSV 0.5b up to 50 kPa** and **MSV 6b up to 0.6 MPa** and can operate with two control voltages for valve solenoids: 12 VDC or 230 V AC. The MSV valves can be installed in areas with the class of hazards from 2 to 22.

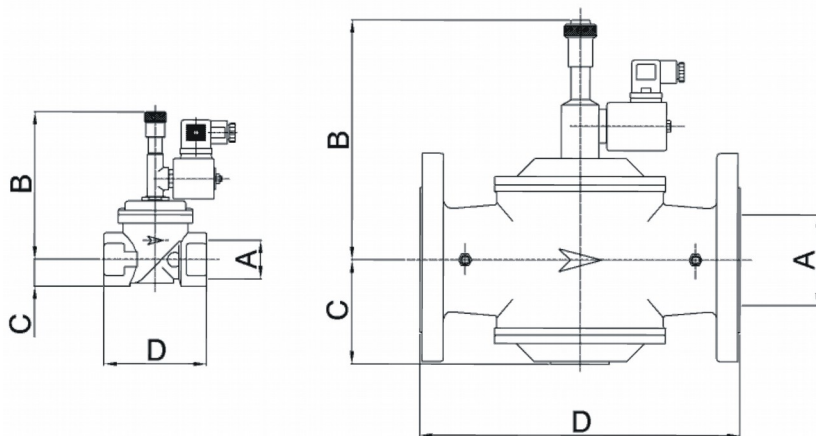
In the mode of regular operation the valve is open and enables unobstructed flow of gas. Tight shutoff of the valve resulting in isolation of gas flow is carried out against an electric signal, provided for instance by the Control Unit of the Gas Detection System. The valve can be reopened only manually after making sure that the reason for the valve triggering is eliminated.

Device structure: aluminium body and lid, actuating spring made of alloy steel, adjusting steel piston, rubber (NBR) membrane and sealing ring, other parts made of brass, aluminium or steel with galvanized coating. These shutoff valves are installed between the main valve at the gas line branch and the building entrance.

Location and role of the device in Gas Safety System



Dimension



TYPE	A	B	C	D
MSV 12	Rp 1/2"	120	15	76
MSV 34	Rp 3/4"	140	25	96
MSV 100	Rp 1"	140	25	96
MSV 114	Rp 1 1/4"	170	31	154
MSV 112	Rp 1 1/2"	170	31	154
MSV 200	Rp 2"	170	39	173
MSV 212	DN 65	230	100	300
MSV 300	DN 80	230	100	300
MSV 400	DN 100	230	115	360
MSV 500	DN 125	390	170	480
MSV 600	DN 150	390	170	480

Technical specification

Type of medium	methane natural gas propane – butane biogas1	Power	11 W – threaded 28 W – flange DN – 65, DN – 80, DN – 100 45 W – flange DN -125, DN -150
Connections	threaded with diameters: Rp 1/2", Rp 3/4", Rp 1", Rp 1 1/4", Rp 1 1/2", Rp 2" flanged with diameters: DN-65, DN-80, DN- 100, DN-125, DN-150	Temperature range	-20 ÷ 60 °C
Power supply	12 V DC or 230 V AC	Max. inlet pressure	50 kPa (MSV 0,5 b) 0,6 MPa (MSV 6 b)
IP	IP 65	Atex	⊕ II 3G 3D
		Manufacturer	Giuliani Anello

Product marking

When ordering, please use the device configurator below to determine the product code.

Example

- MSV 100 6 B 230 V AC – valve MSV threaded connections 1", pressure 6 bar, power supply 230 V AC.
- MSV 12 0,5 B 12 V DC – valve MSV threaded connections 1/2", pressure 0,5 bar, power supply 12 V DC.

MSV

12 - Rp 1/2"
34 - Rp 3/4"
100 - Rp 1"
114 - Rp 1 1/4"
112 - Rp 1 1/2"
200 - Rp 2"
212 - DN 65
300 - DN 80
400 - DN 100
500 - DN 125
600 - DN 150

/

0,5B - 0,5 bar
6B - 6 bar

12 V DC
230 V AC

Legal Notice:

This document is not an offer in the meaning of the civil code and other relevant regulations, but merely constitutes an invitation to conclude an agreement pursuant to article 71 of the Polish Civil Code. Atest-Gaz A. M. Pachole sp. j. stipulates the right to unilaterally change and modify the present document at any time as well as to introduce changes related to the product characteristics. Products parameters can be changed without any prior notice.