



Mounting brackets

WMX

Product code: PW-064-X



Integrity

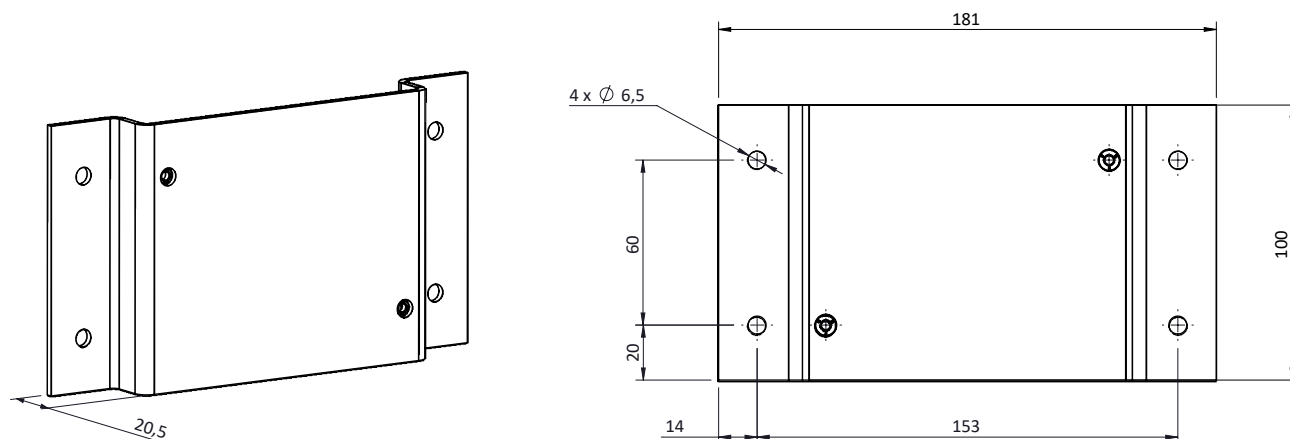
Information about the product

WM brackets are intended for mounting devices available in Atest Gaz offer, enabling their convenient application on the site. Available types of brackets:

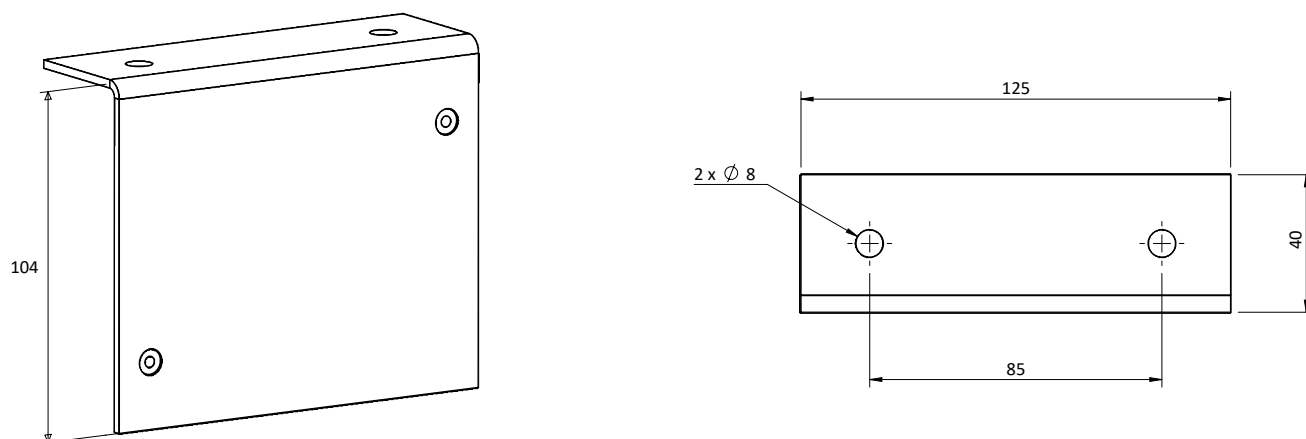
Type	Code	Purpose of the assembly	Material	Dedicated devices
WM1	PW-064-WM1	For wall mounting	Aluminum Powder coating	Alpa Gas XT, Teta Gas and Alpa EcoDet (PW-022-NO2) Gas Detector
WM2	PW-064-WM2	For ceiling mounting	Aluminum Powder coating	Gas Detector series Alpa Gas XT, Teta Gas
WM23	PW-064-WM3	For wall mounting (impact protection)	Steel Powder coating	Alpa EcoDet XT, Teta EcoDet, Teta miniDet Gas Detector
WM4	PW-064-WM4	For wall mounting (impact protection)	Steel Powder coating	For the protection of Gas Detector: SmArtGas4 without display and ReAct 4 in a metal enclosure, without a display
WM5	PW-064-WM5	For wall mounting	Aluminum	SOLED3 and EVC signalling device
WM6	PW-064-WM6¹	For wall mounting	Stainless steel 1.4301	Gas Detectors SmArtGas4 and ReAct4 in metal enclosure
WM7	PW-064-WM7¹	For wall mounting	Stainless steel 1.4301	SOLED3 + ETH12MD signalling device
WM8	PW-064-WM8¹	For wall mounting	Stainless steel 1.4301	ProGas 4 Gas Detector
WM10	PW-064-WM10¹	For ceiling mounting	Stainless steel 1.4301	ProGas 4 Gas Detector
WM11	PW-064-WM11¹	For ceiling mounting	Stainless steel 1.4301	SmArtGas 4, ReAct 4 Gas Detectors

1 Available in acid-resistant stainless steel 1.4404

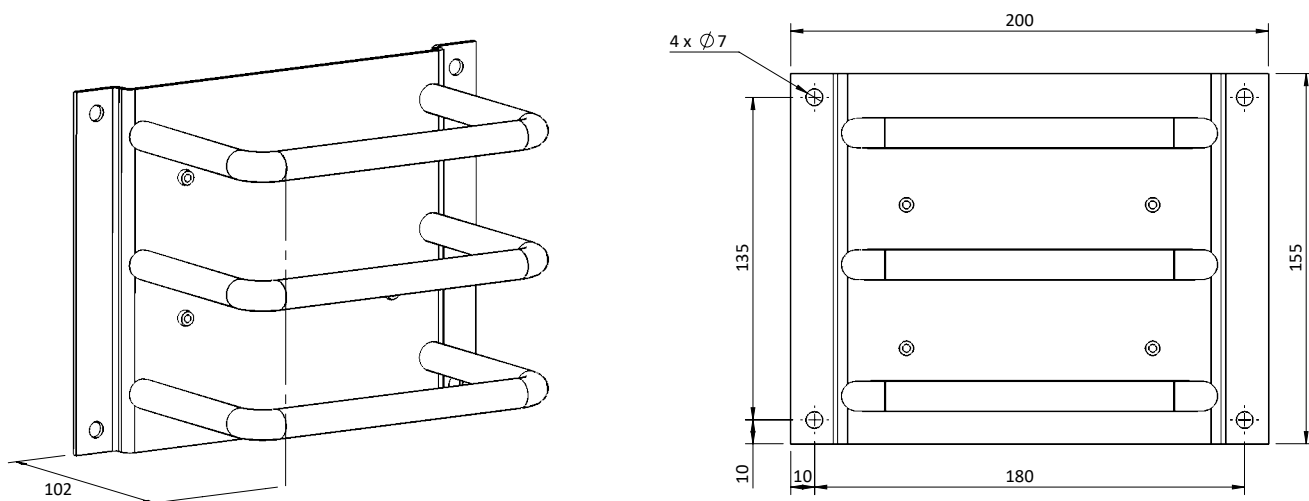
WM1 Mounting bracket



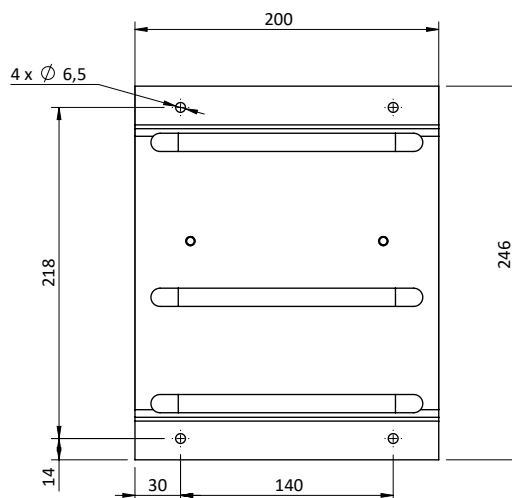
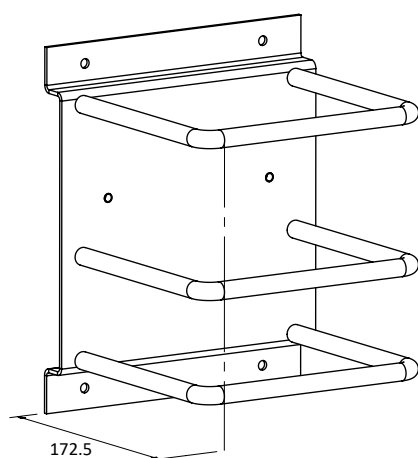
WM2 Mounting bracket



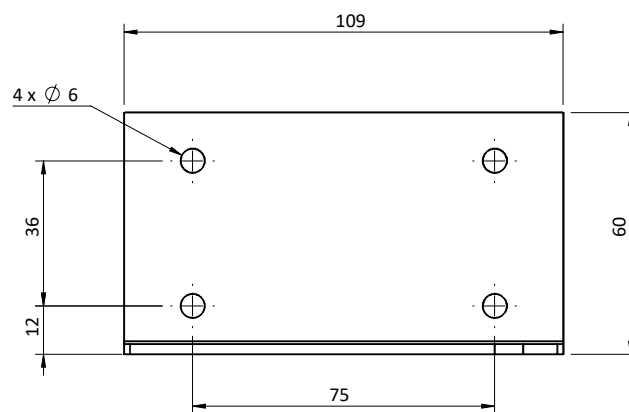
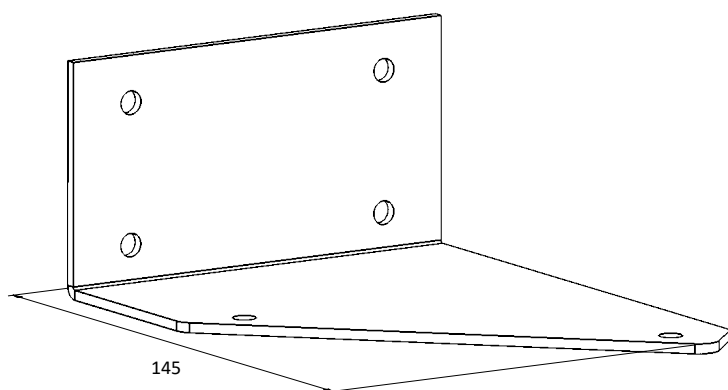
WM3 Mounting bracket



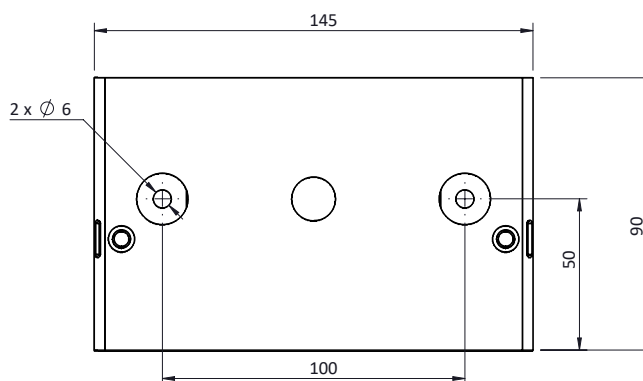
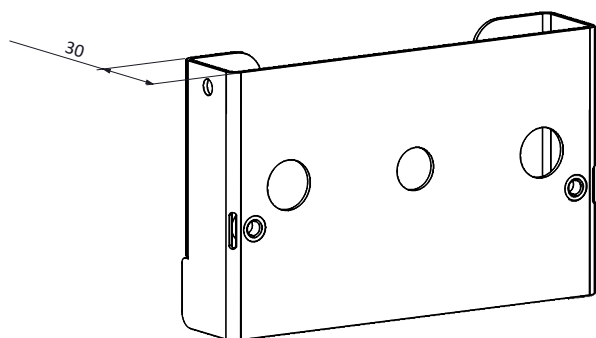
WM4 Mounting bracket



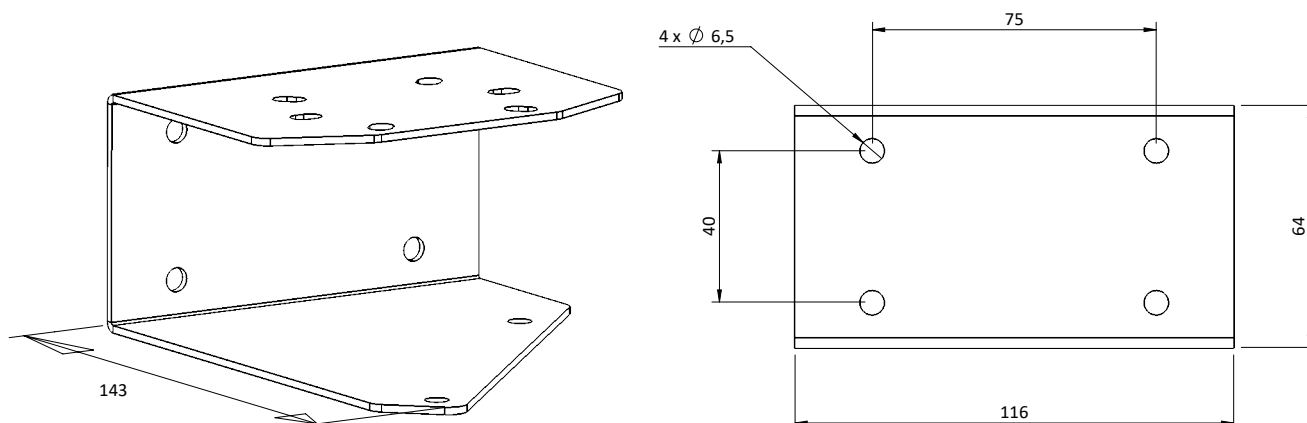
WM5 Mounting bracket



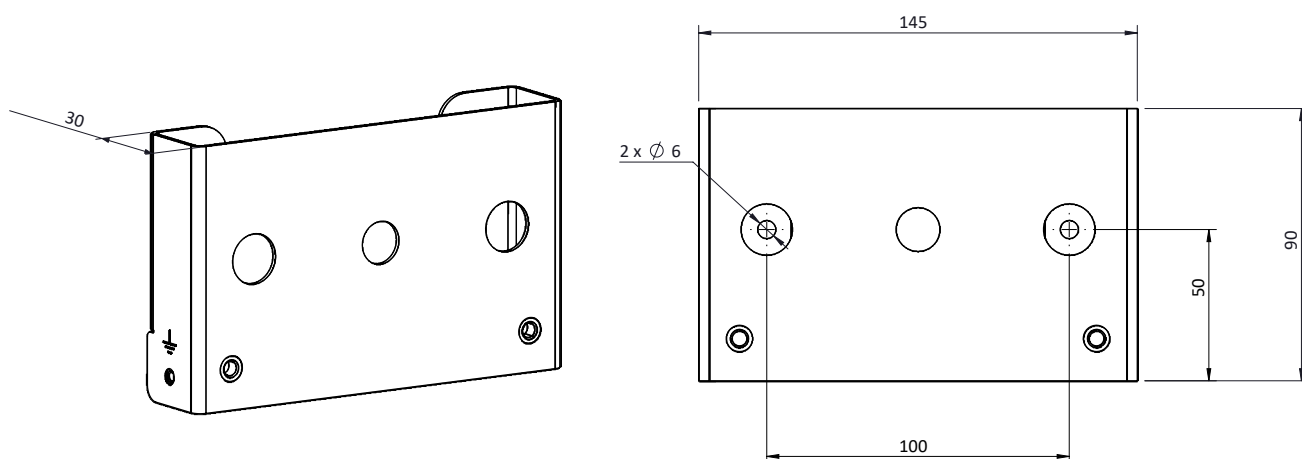
WM6 Mounting bracket



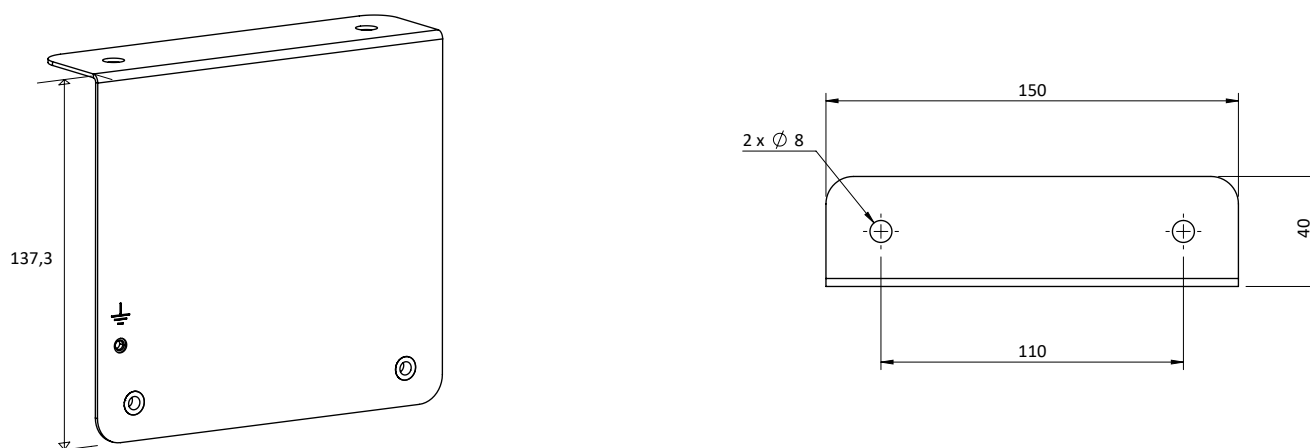
WM7 Mounting bracket



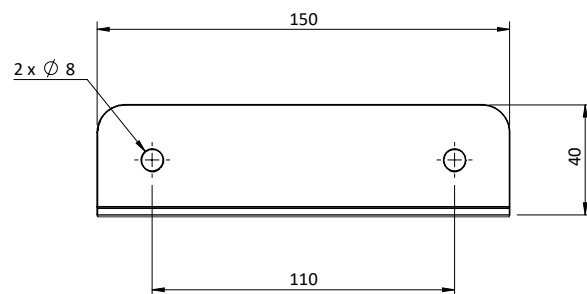
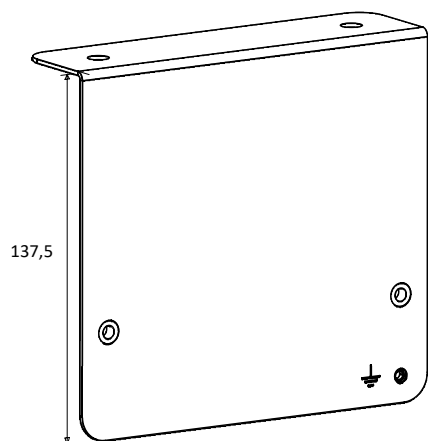
WM8 Mounting bracket



WM10 Mounting bracket



WM11 Mounting bracket








For more details of our devices and other products and services offered by us, visit:

www.atestgaz.com

Atest Gaz A. M. Pachole sp. j.

 Spokojna 3, 44-109 Gliwice

 +48 32 238 87 94

 +48 32 234 92 71

 contact@atestgaz.pl

Legal Notice:

This document is not an offer in the meaning of the civil code and other relevant regulations, but merely constitutes an invitation to conclude an agreement pursuant to article 71 of the Polish Civil Code. Atest Gaz A. M. Pachole sp. j. stipulates the right to unilaterally change and modify the present document at any time as well as to introduce changes related to the product characteristics. Products parameters can be changed without any prior notice.